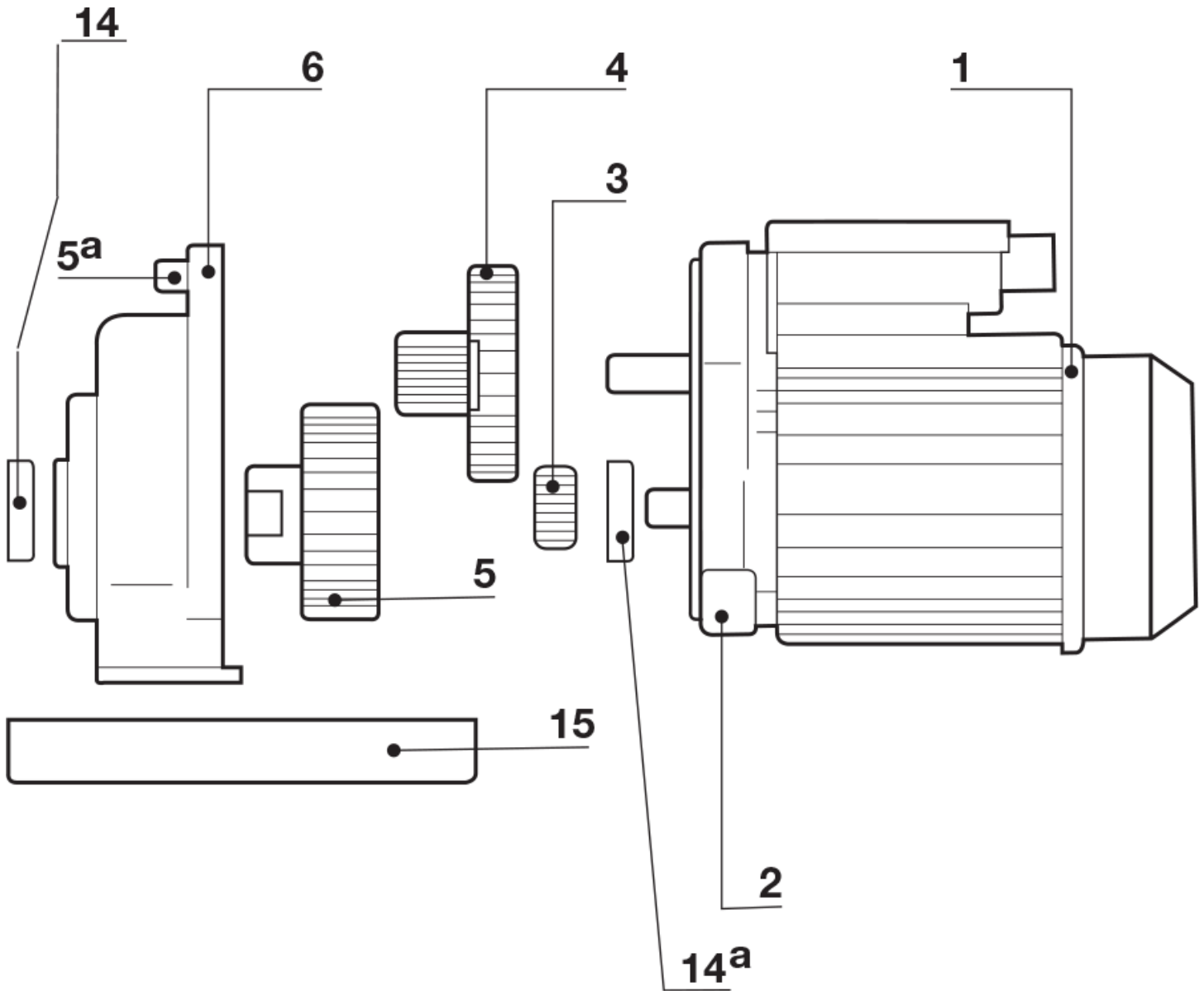


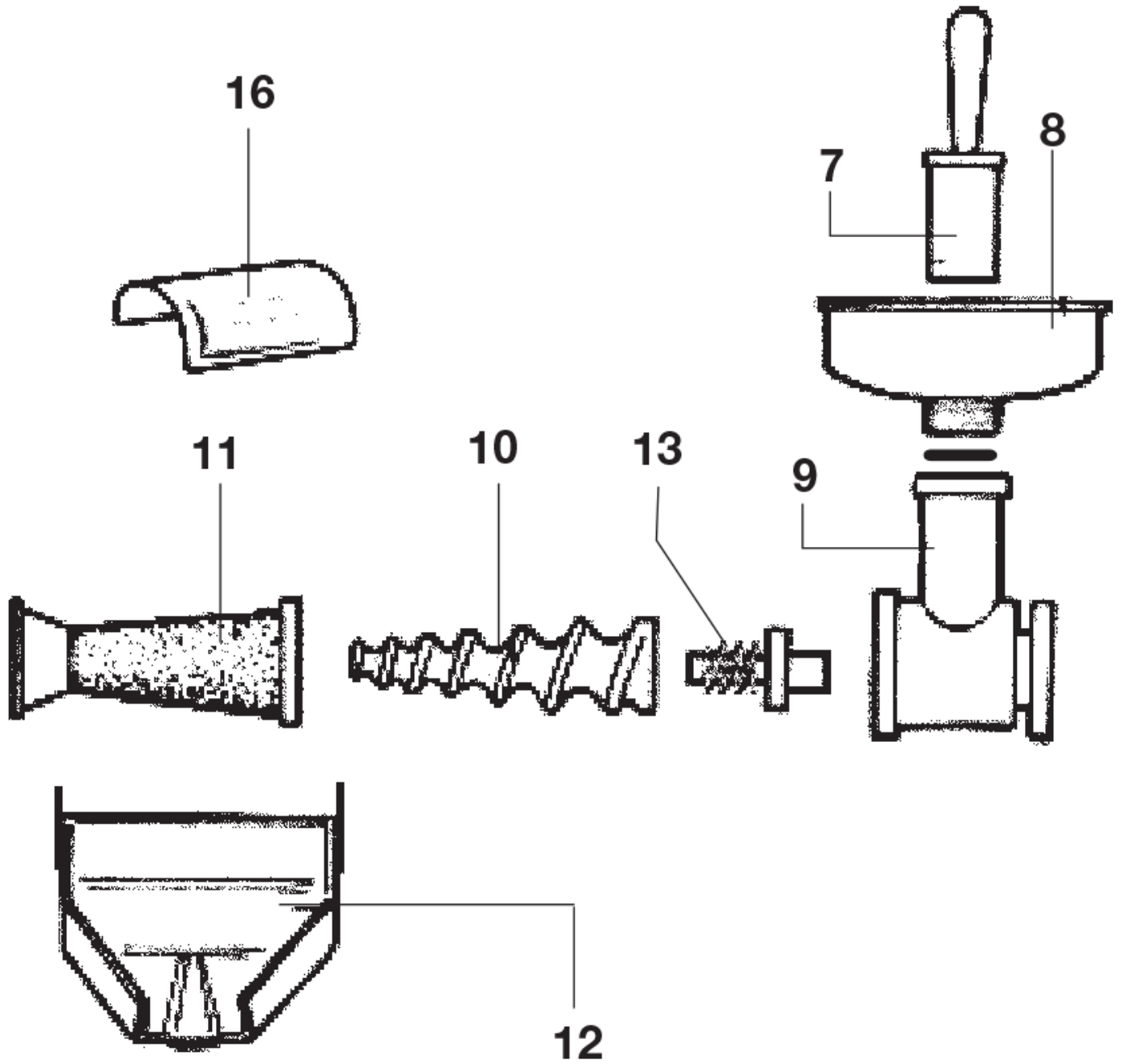
Parts Breakdown

Model TS-IT-0110-S 18901



Parts Breakdown

Model TS-IT-0110-S 18901



Parts Breakdown

Model TS-IT-0110-S 18901

Item No.	Description	Position	Item No.	Description	Position	Item No.	Description	Position
70082	Electric Motor for 18901	1	70089	Pestle for 18901	7	24615	Joint and Spring for 18901	13
70083	Reduction Gear Flange for 18901	2	70090	Funnel for 18901	8	70096	Reduction Gear Cover Oil Seal for 18901	14
70084	Small Gear for 18901	3	70091	Cast Iron Casing for 18901	9	70097	Reduction Gear Internal Seal for 18901	14A
70085	Twin Gear for 18901	4 - 5	24616	Propeller for 18901	10	70098	Base for 18901	15
40628	Rubber Cap Red for 18901	5A	24612	Filter Cone Inox N.3 Standard Holes (1.5mm) for 18901	11	70099	Splash Guard for 18901	16
70088	Reduction Gear Cover Black for 18901	6	70094	Drip Pan for 18901	12	39340	Rubber Gasket for 18901	